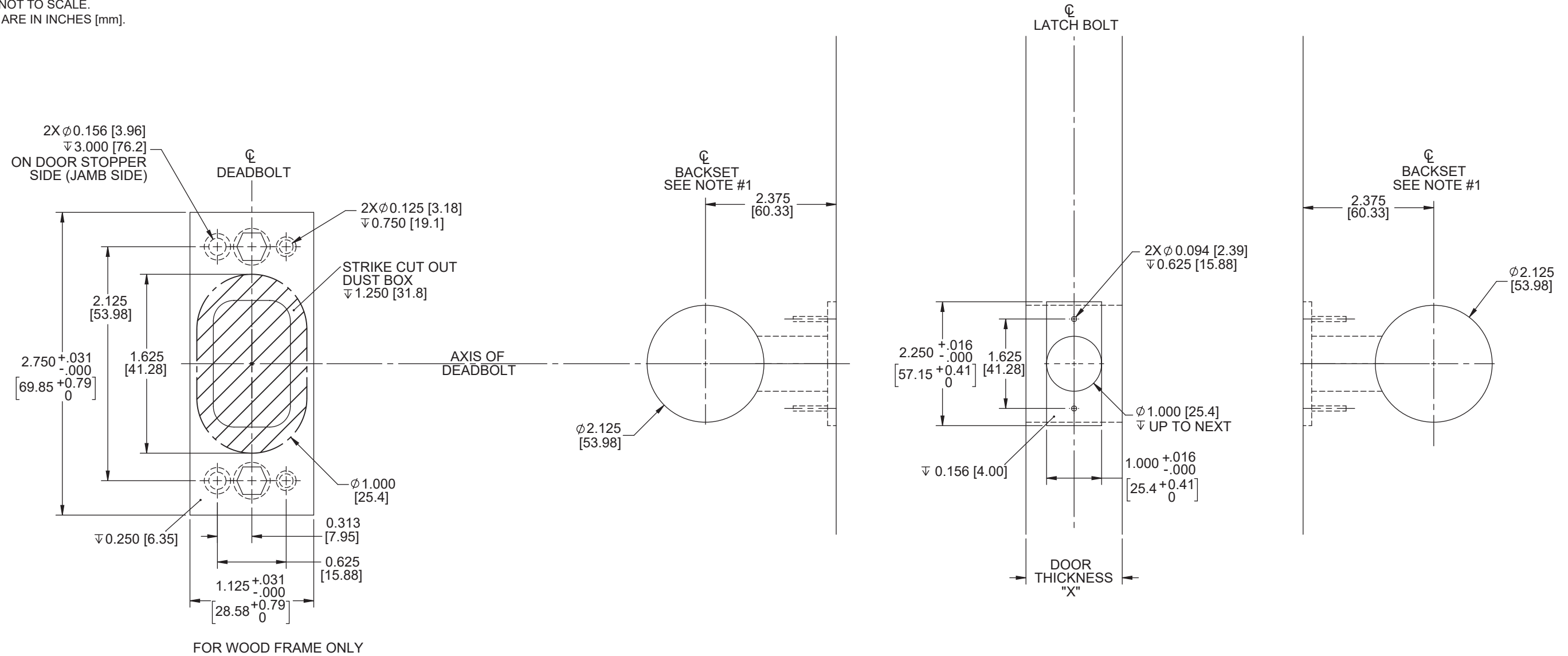


Saffire LX-D & Saffire EVO LZ-D

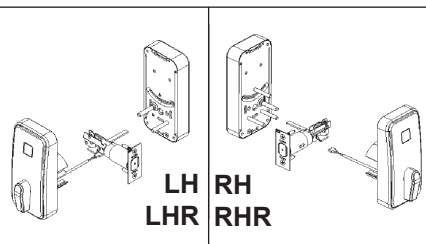
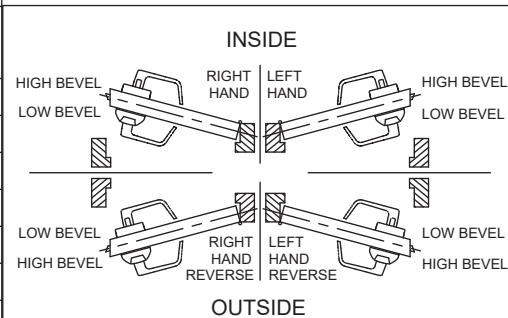
2-3/8" Backset door preparation

NOTES:

1. USE DIMENSIONS FROM TABLE BELOW TO ADJUST BACKSET POSITION ACCORDING TO LOW AND HIGH BEVEL DOOR EDGE.
2. DIMENSIONS ARE SYMMETRICAL ABOUT ϕ UNLESS OTHERWISE NOTED.
3. DRAWING IS NOT TO SCALE.
4. DIMENSIONS ARE IN INCHES [mm].



BACKSET ADJUSTMENT FOR 3° BEVEL DOOR		
DOOR THICKNESS DIMENSION X	DOOR THICKNESS DIMENSION X	BACKSET ADJUSTMENT DIMENSION Y
1.25 [31.8]	1.25 [31.8]	0.032 [0.81]
1.50 [38.1]	1.50 [38.1]	0.039 [1.00]
1.75 [44.5]	1.75 [44.5]	0.046 [1.17]
2.00 [50.8]	2.00 [50.8]	0.052 [1.32]
2.25 [57.2]	2.25 [57.2]	0.059 [1.50]
2.50 [63.5]	2.50 [63.5]	0.065 [1.65]
2.75 [69.9]	2.75 [69.9]	0.072 [1.83]



DIMENSIONS = IMPERIAL/IMPÉRIAL [MILLIMETER / MILLIMÈTRE]
 3D FILE GOVERNS ALL UNSPECIFIED DIMENSIONS & GENERAL TOLERANCES APPLY / LES DIMENSIONS NON SPÉCIFIÉES SONT DÉFINIES PAR LE FICHER 3D ET LES TOLÉRANCES GÉNÉRALES S'APPLIQUENT PAR LE FICHER 3D ET LES TOLÉRANCES GÉNÉRALES S'APPLIQUENT

GENERAL TOLERANCE, UNLESS OTHERWISE SPECIFIED
TOLÉRANCES GÉNÉRALES, SAUF SI SPÉCIFIÉ AUTREMENT

X ± 0.25	THREAD CLASS / FILET	FINISH / FINI
X.X ± 0.25	SAE: 2A-2B	ISO: 6g / 6H
X.XX ± 0.25		

HOLE / TROU ANGLE: ± 1°
 Ø: +.13/-0.05 CHAMFER / CHANFREIN: ≤ ± 5°

AS PER / SELON : ASME Y14.5M-2009

WARNING

- To verify lock coverage and door operation meets expectations, dormakaba strongly recommends completing a full door mockup. This will ensure that all necessary products and parts for a successful installation are included.
- Always validate that you have selected the correct template for specific lock model being installed. The same lock model can be offered with different locking device options.
- Drawing is not to scale. Measurements are for reference only. Not a drilling template.
- If you have any questions, please contact your local sales representative or authorized reseller.